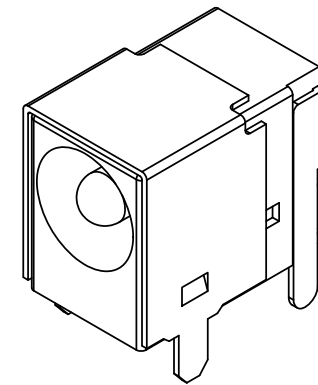
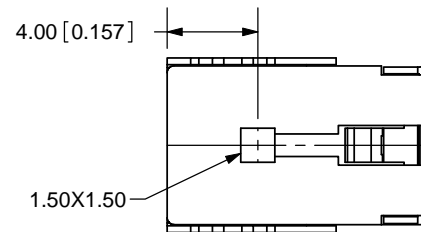
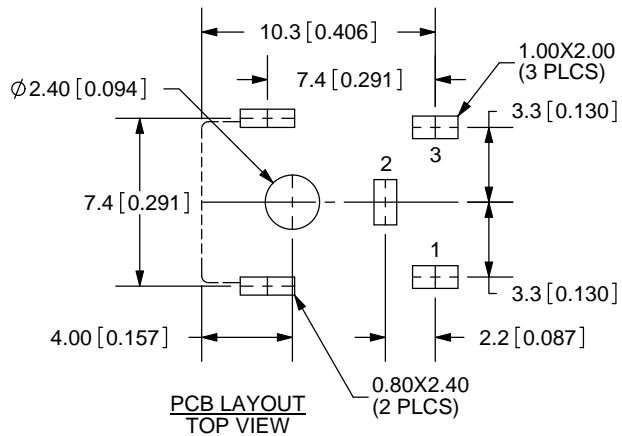
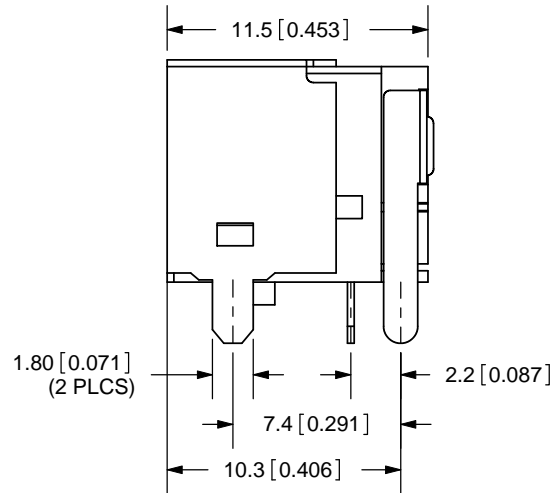
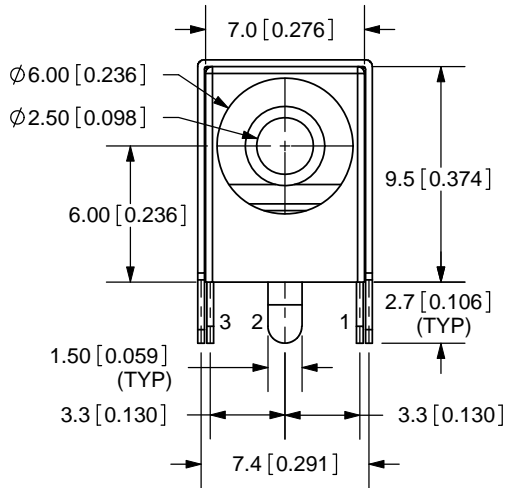


REV.	DESCRIPTION	DATE
A	NEW DRAWING	7/30/2007



TOLERANCE:  
 X.X±0.2mm  
 X.XX±0.1mm  
 X.XXX±0.05mm



**SPECIFICATIONS:**  
 RATING: 16V DC @ 2.5A  
 CONTACT RESISTANCE: 50m OHMS MAX  
 INSULATION RESISTANCE: 100M OHMS MIN: 500V DC  
 VOLTAGE WITHSTAND: 500V AC R.M.S. FOR 1 MINUTE  
 LIFE: 5,000 CYCLES

MODEL NO.	PJ-047B
SCHEMATIC	

CENTER PIN DIAMETER 2.50mm Dia.

	MATERIAL	PLATING
CENTER PIN	Brass	Nickel
TERMINAL 1	Brass	Tin
TERMINAL 2	Copper Alloy	Tin
TERMINAL 3	Brass	Tin
SHIELD	Brass	Tin
BODY	PBT	



20050 SW 112th Ave.  
 Tualatin, OR 97062  
 Phone: 503-612-2300  
 800-275-4899  
 Fax: 503-612-2383  
 Website: www.cui.com

TITLE: DC POWER JACK	REV: A
PART NO. PJ-047B	UNITS: MM [INCHES]
DRAWN BY: ZRJ	APPROVED BY:
	SCALE: 3:1

PC FILE NAME:  
 PJ-047B

COPYRIGHT 2007 BY CUI INC.